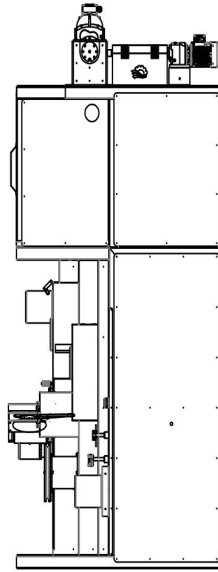
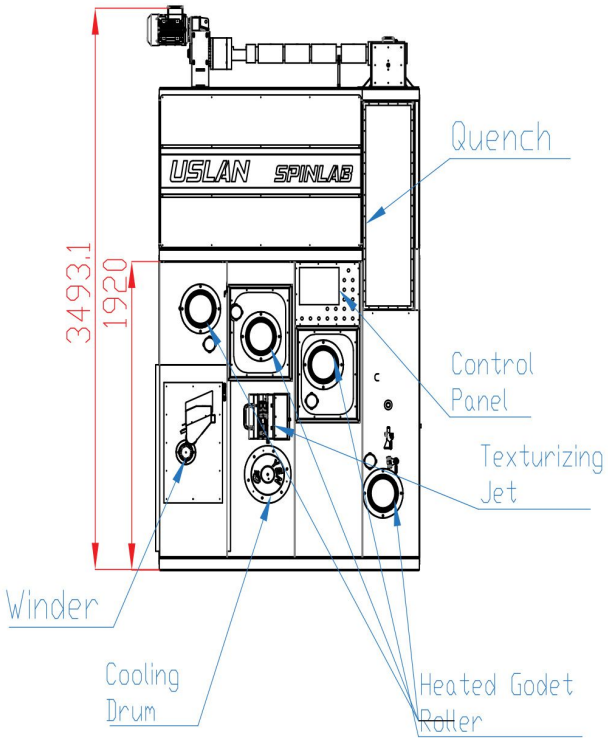
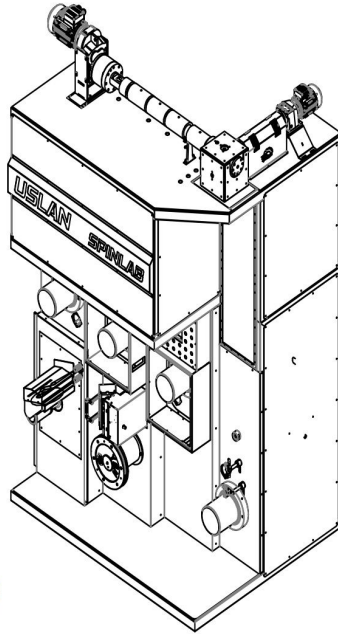
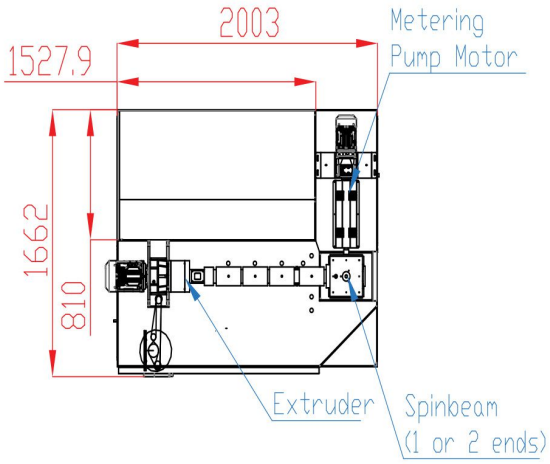


# USLAN SPINLAB FDY/BCF

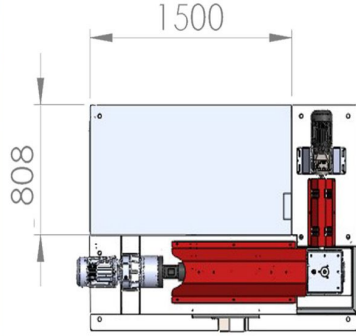


+90 (342) 337 35 30

1. Organize Sanayi Bölgesi 20. Cad. No:17 B. Bölüm  
Şehitkamil Başpınar, 27600 Gaziantep

[www.ygn.com.tr](http://www.ygn.com.tr)

## USLAN SPINLAB POY/FDY



### "DO YOU NEED A TRY?"

A Laboratory scale spinning system for different polymer types such as:

- PP -PET/R-PET
- PA -PBT

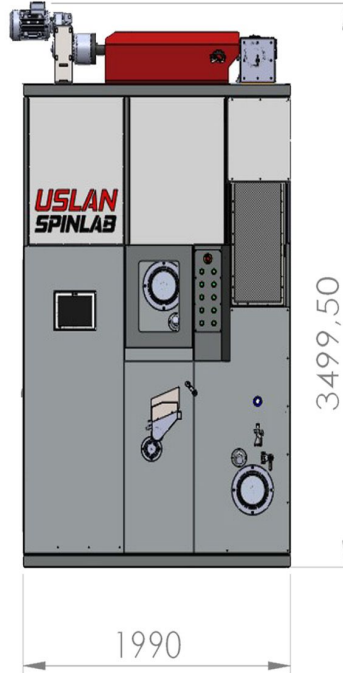
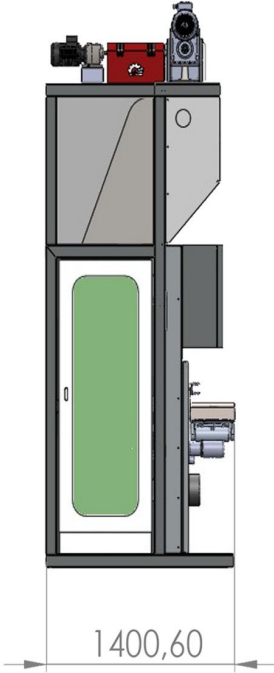
Two versions as

- POY/FDY or -FDY/BCF

### Specs:

- Automated extrusion pressure
- Heated and Automated Godet Rollers
- Up to 4500 m/min winding speed
- High Precision Texturizing Jet for BCF
- Ability to try new products in an easy way.

-Able to use different section type of spinnerettes.



Can be supported with a auxiliary cutting equipment to produce Staple Fiber .



+90 (342) 337 35 30

1. Organize Sanayi Bölgesi 20. Cad. No:17 B. Bölüm  
Şehitkamil Başpınar, 27600 Gaziantep

[www.ygn.com.tr](http://www.ygn.com.tr)